

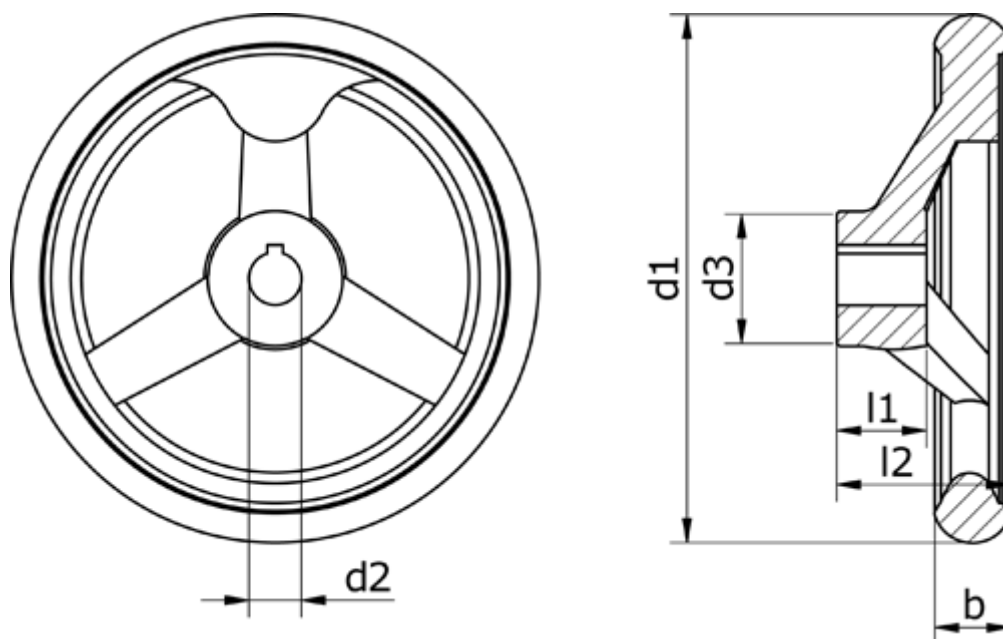
# Data Sheet



Article number: 201575314

Description: E+G Handwheel  
GN 950.6-160-K14-A

## Measures



b1 = 17.5

d1 = 160

d2 = 14

d3 = 31.0

d4 = M10

l1 = 20

l2 = 39.5